



7216 BEGAF Angular contact ball bearings, single row

- Popular item

Angular contact ball bearings, single row

Bearing data

[Tolerances](#),

Normal (metric), P6, P5, Normal (inch),

[Internal clearance](#),

CA+CB+CC, G,

[Preload](#),

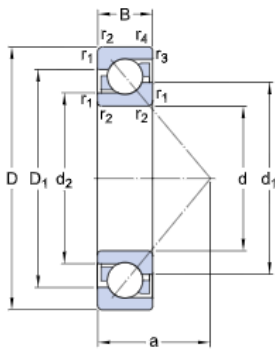
GA+GB+GC

Bearing interfaces

[Seat tolerances for standard conditions](#),

[Tolerances and resultant fit](#)

Technical specification

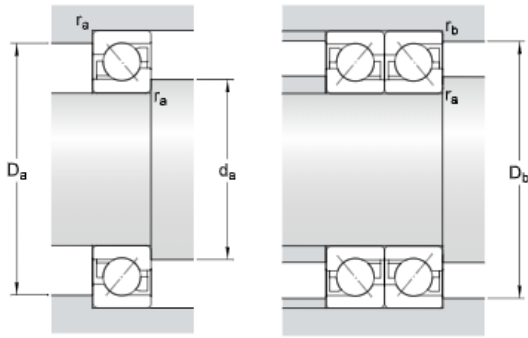


DIMENSIONS

d	80 mm	Bore diameter
D	140 mm	Outside diameter
B	26 mm	Width
d1	≈ 103.55 mm	Shoulder diameter inner ring (large side face)
d2	≈ 91.44 mm	Shoulder diameter inner ring (small side face)
D1	≈ 117.85 mm	Shoulder diameter outer ring (large side face)
a	59 mm	Distance pressure point
r _{1,2}	min. 2 mm	Chamfer dimension
r _{3,4}	min. 1 mm	Chamfer dimension outer ring small side face

ABUTMENT DIMENSIONS

d _a	min. 91 mm	Abutment diameter shaft
D _c	max. 130 mm	Abutment diameter housing
D _i	max. 134 mm	Abutment diameter housing
r _a	max. 2 mm	Fillet radius
r _b	max. 1 mm	Fillet radius



CALCULATION DATA

C	80.6 kN	Basic dynamic load rating
C ₀	69.5 kN	Basic static load rating
P _u	2.8 kN	Fatigue load limit
	5 600 r/min	Reference speed
	5 300 r/min	Limiting speed
A	0.08	Calculation factor
k _r	0.095	Calculation factor
e	1.14	Calculation factor

SINGLE BEARING OR BEARING PAIR ARRANGED IN TANDEM

X	0.35	Calculation factor
Y ₀	0.26	Calculation factor
Y ₂	0.57	Calculation factor

BEARING PAIR ARRANGED BACK-TO-BACK OR FACE-TO-FACE

X	0.57	Calculation factor
Y ₀	0.52	Calculation factor
Y ₁	0.55	Calculation factor
Y ₂	0.93	Calculation factor